

# HTP1 Pressure Test System

**700 bar / 10,000 psi, 1000 bar / 15,000 psi Hydraulic Pressure**



## FEATURES

- Hydraulic Pressure up to 1000 bar / 15,000 psi !
- Stainless Steel Sealed Construction - NO LEAKS ! NO RUST !
- Lightweight, hand held and easy to use.
- Optional over pressure protection system ( via adjustable relief valve )
- Quick priming and pressure generation using scissor action pump.
- High pressure / priming selector.
- Fine adjustment control.
- Pressure release valve.
- Large see-through reservoir with a capacity of over 100cc.
- Compatible with most liquids. e.g. mineral oil, distilled water. ('Skydrol' / Brake fluid option also available ).
- Supplied with carrying case.
- Optional accessories include a set of adaptors and a flexible hose with quick fit connectors suitable for many applications.

*HTP1-700 and HTP1-1000 are lightweight, easy to use and can generate pressures up to 700 bar / 10,000 psi & 1000 bar / 15,000 psi. HTP1 is well suited for calibrating pressure transmitters, pressure transducers, pressure switches and pressure gauges.*

***HTP1 can be used as a Portable Pressure Comparator in conjunction with various pressure indicating devices.***

***The system offers adjustable over pressure protection, fine control, and a unique selector switch to move from priming to high pressure generation.***



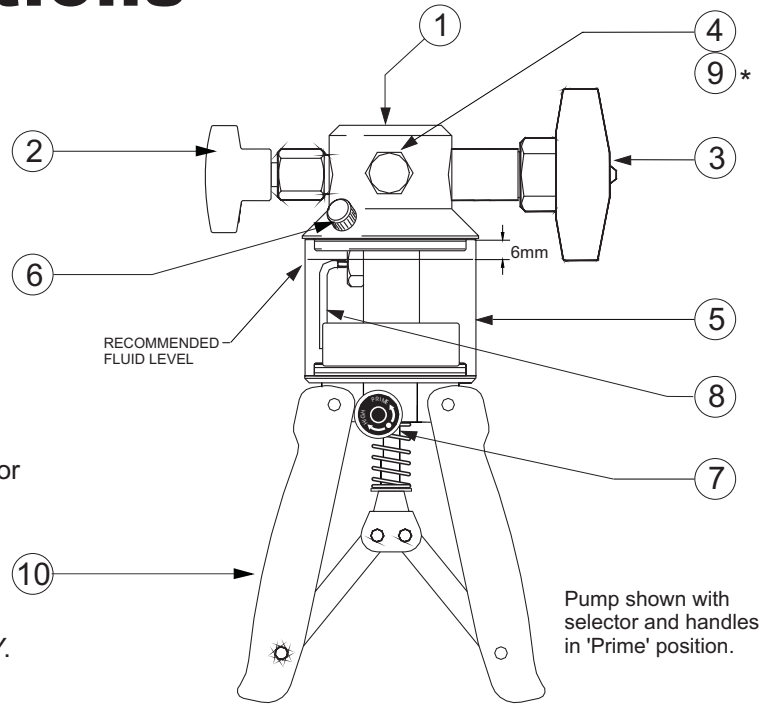
AOIP  
BP 182  
91006 EVRY Cedex  
France  
Tel : 0810 10 AOIP (2647) Site : [www.aoip.com](http://www.aoip.com)

# HTP1 Specifications



**KEY:**

1. 3/8" BSP Female connection to take master instruments. e.g. PC6 PRO Calibrator, Digital / Analogue indicators (1/4"NPT Female adaptor available).
2. Pressure release valve.
3. Fine control.
4. Front port: 1/4" BSP female to take optional Quick-fit connection and flexible hose (1/4"NPT Female adaptor available).
5. 100cc's Reservoir.
6. Reservoir safety valve / filling plug.
7. Priming / High pressure selector.
8. Fluid inlet tube
9. Rear port: Reserved for Pressure Relief Valve ONLY.  
(\* Do not use for any other purpose)
10. Pump Handles



## Specification:

- Pressure range:** 0 to 700 bar / 0 to 1000 bar max. ( 0 to 10,000 psi / 0 to 15,000 psi ).
- Pressure media:** Mineral based Hydraulic Oil (DW6292 shown below)  
Distilled water  
( 'Skydrol' and brake fluid option available HTP1-S )
- Pressure connections:** 3/8" BSP female.  
1/4" BSP female. ( blanked off )  
Quick fit connector to suit flexible hose. ( see optional accessories below ).
- Dimensions:** L 236mm x W 176mm x D 70mm; approx. 1.6kg in weight.

**Master Instruments available to suit HTP1-700, HTP1-1000:**      **Accuracy FS:**  
Pressure Calibrator (PC6 range)      0.05% / 0.025%

## Order Codes:

- HTP1-700, HTP1-1000**      Hydraulic Pressure Test System in compact carrying case.  
**PRV12-X-HTP1**      5 Ranges of Pressure Relief Valve: 10 to 1000 bar / 150 to 15,000 psi.  
**PC6, PC6-IS, PC6-PRO**      A range of Pressure Calibrators between -1 and 1000bar (15,000psi) Acc. 0.025% FS

- HTPA-BSP**      Set of 7 BSP adaptors.  
**HTPA-NPT**      Set of 6 NPT adaptors.  
**HK1-1000**      1m Long self-sealing hose assembly for use with oil or water ( 1000 bar / 15,000 psi working pressure ).
- HTPK1**      Service kit containing a set of seals.  
**DW6292**      1 Litre can of hydraulic oil.



AOIP  
BP 182  
91006 EVRY Cedex  
France  
Tel : 0810 10 AOIP (2647)    Site : [www.aoip.com](http://www.aoip.com)